

Master the Skies with the Comprehensive Cessna 206 Training Manual

Elevate Your Aviation Skills: A Detailed Guide to Operating the Cessna 206

Embark on an extraordinary aerial adventure with the definitive Cessna 206 Training Manual. Written by experienced flight instructors and aviation experts, this comprehensive guide empowers you with the knowledge and proficiency to conquer the skies in this versatile aircraft.

With its clear and concise instructions, engaging illustrations, and exhaustive coverage, this training manual is your ultimate companion on the path to becoming a skilled Cessna 206 pilot. Whether you're a seasoned aviator looking to enhance your capabilities or a novice yearning to take flight, this manual provides the essential foundation for safe and successful flying.



Cessna 206 Training Manual (Cessna Training Manuals Book 4) by Danielle Bruckert

★★★★☆ 4.9 out of 5

Language : English

File size : 46375 KB

Screen Reader : Supported

Print length : 575 pages

Lending : Enabled



Immersive Training Experience

- **Step-by-Step Flight Procedures:** Master the intricate details of taking off, flying, landing, and handling emergencies in the Cessna 206.
- **Detailed Systems Overview:** Gain a thorough understanding of the aircraft's essential systems, including engine, electrical, hydraulic, and avionics.
- **Performance Charts and Diagrams:** Utilize practical charts and visual aids to optimize your flight performance and make informed decisions in various conditions.
- **Interactive Exercises and Simulations:** Engage in interactive exercises and simulations to reinforce your learning and develop real-world flight proficiency.

Unveiling the Cessna 206

Discover the iconic Cessna 206, a single-engine, high-wing aircraft renowned for its versatility, ruggedness, and exceptional performance. With its spacious cabin, ample cargo capacity, and advanced avionics, the Cessna 206 is the ideal choice for private pilots, commercial operators, and adventure seekers alike.

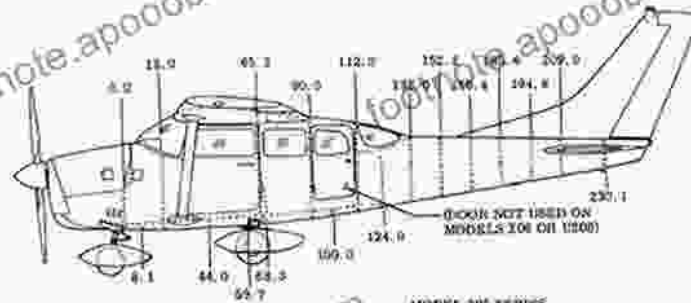


Expert Guidance from Flight Instructors

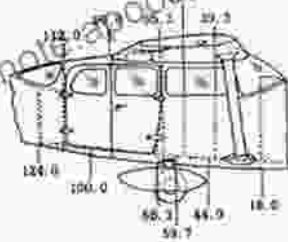
Learn from the wisdom and experience of seasoned flight instructors who have dedicated their lives to aviation. Their insights and tips will guide you through the intricacies of flying the Cessna 206, ensuring your safety and proficiency at all times.

Cabin and Door Dimensions

The following diagram illustrates the approximate dimensions of the cabin and positions of the cabin doors.



MODEL 100 SERIES
MODEL 100 & 1200
MODEL 1900 SUPER SKYWAGON



RIGHT SIDE VIEW OF
MODELS 100 & 1200

MODEL 1900
SUPER SKYLARK

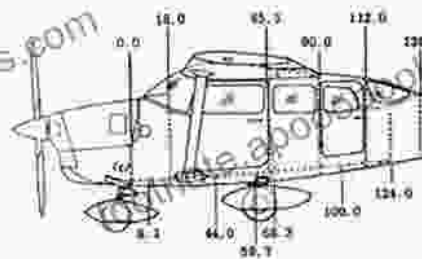


Illustration 3g Typical Door Configurations

Experienced flight instructors provide valuable guidance throughout your training journey.

Comprehensive Coverage for Every Skill Level

- **Novice Aviators:** Lay the groundwork for a solid aviation foundation with clear and accessible instructions, perfect for those taking their first

steps into the world of flight.

- **Advanced Pilots:** Refine your skills and expand your knowledge base with in-depth analysis of advanced flight techniques and emergency procedures.
- **Instructors and Operators:** Enhance your teaching or operational skills with detailed information on training methodologies and regulatory requirements.

A Legacy of Excellence

Cessna Aircraft Company, the esteemed manufacturer of the Cessna 206, has been a trusted name in aviation for decades. Their commitment to innovation and quality ensures that the Cessna 206 is a reliable and capable aircraft, meeting the demands of pilots worldwide.



Invest in Your Aviation Future

The Cessna 206 Training Manual is an invaluable investment in your aviation journey. It provides the knowledge and skills you need to confidently operate this exceptional aircraft, opening up a world of possibilities for personal exploration, business operations, and unforgettable adventures.

- **Enhance Your Career:** Advance your professional opportunities with a highly sought-after certification in Cessna 206 operations.
- **Unlock New Horizons:** Explore remote and breathtaking locations inaccessible by other means of transportation, fulfilling your dreams of aerial freedom.
- **Create Unforgettable Experiences:** Share the joy of flying with your loved ones, creating memories that will last a lifetime.

Free Download Your Copy Today

Elevate your aviation aspirations with the comprehensive Cessna 206 Training Manual. Free Download your copy today and empower yourself with the knowledge and skills to master the skies.

Free Download Now

Additional Resources

- Cessna Aircraft Company: <https://www.cessna.com/>
- Federal Aviation Administration (FAA): <https://www.faa.gov/>
- Aviation Weather Center: <https://aviationweather.gov/>



Cessna 206 Training Manual (Cessna Training Manuals Book 4) by Danielle Bruckert

★★★★☆ 4.9 out of 5

Language : English

File size : 46375 KB

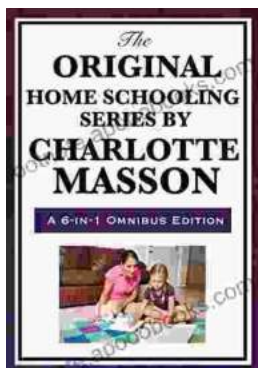
Screen Reader : Supported

Print length : 575 pages

Lending : Enabled

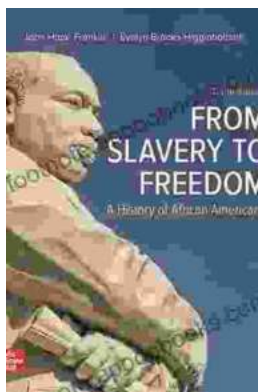
FREE

DOWNLOAD E-BOOK



The Original Home School: A Journey of Love, Learning, and Life

In the annals of education, there is no more fascinating or inspiring story than that of the original home school. It is a tale of love, learning, and...



African American Education in Slavery and Freedom: The John Hope Franklin Institute

The history of African American education in the United States is a complex and often painful one. From the days of slavery, when African Americans were...